



Features

- 1 Saves PCB space
(Terminal tab size 0.64mm / 2.2mm pitch)
- 2 Wide pos. varieties (8, 12, 16, 20, 24, 32, 40)
- 3 Strong prying force : 98N Min.
- 4 105°C heat resistance
- 5 Clear tactile click
- 6 Compatible with other manufacturers' products



Space-Saving



Wide Variation



Contact Reliability

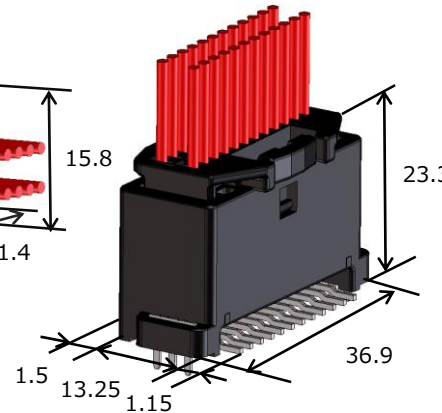
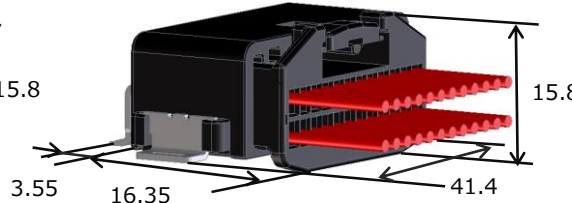
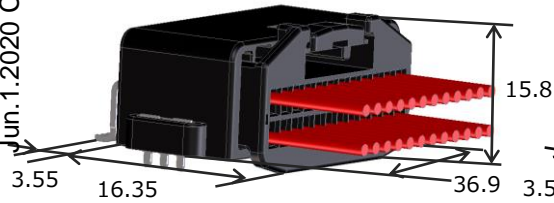
Dimensions & Variations

Example : 24pos.

Right Angle Type
(Solder tab : **DIP**)

Right Angle type
(Solder tab : **SMT**)

Straight Type
(Solder tab : **DIP**)



Specifications

Rated Current	3A
Rated Voltage	250V AC
Operating Temperature	-40 to +105 °C*
Withstanding Voltage	1000V AC for 1 min.
Insulation Resistance	1000MΩ Min. (500V DC)
Mating Durability	30 times

*Includes the temperature rise by current flow.

-No. of Pos.: 8, 12, 16, 20, 24, 32, 40

-Applicable wire: 0.12 to 0.5SQ (Outer dia. ϕ 0.8 to 1.7mm)