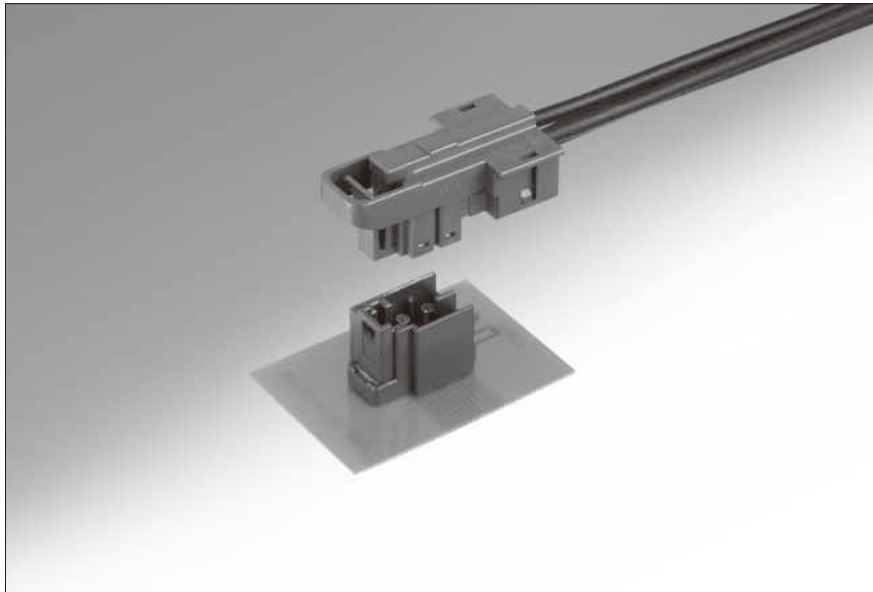


GT36 Series

— Integrates AM-FM, SDARS, GPS, Bluetooth, and Cell —



■ Features

- Frequency range DC ~ 2.5GHz
- Board connector straight type/ Cable connector right-angle type

■ Applications

Various antennas with frequency range DC~2.5GHz
(Ex. AM-FM, SDARS, GPS, Bluetooth, and Cell etc)

Jun. 1. 2020 Copyright 2020 HIROSE ELECTRIC CO., LTD. All Rights Reserved.

For Antenna

GT5

GT13

GT16

PO5G

GT19

GT21

GT26

GT36

GT11

GT17

GT32

GT3

GT7

GT10

GT18W

GT25

GT8E

GT9

GT15

GT5

GT13

GT16

PO5G

GT19

GT21

GT26

GT36

GT11

GT17

GT32

GT3

GT7

GT10

GT18W

GT25

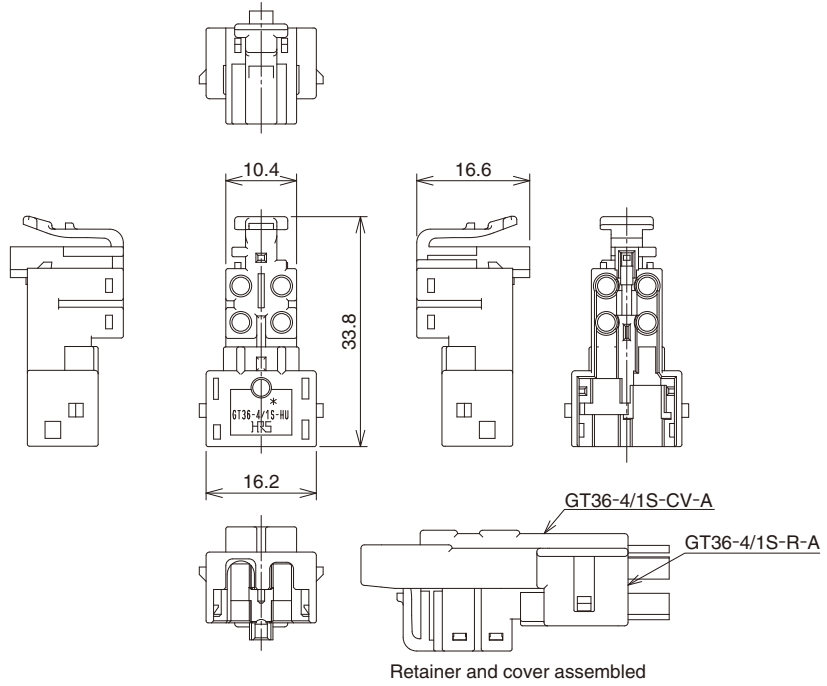
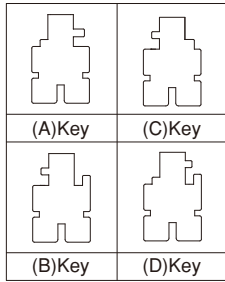
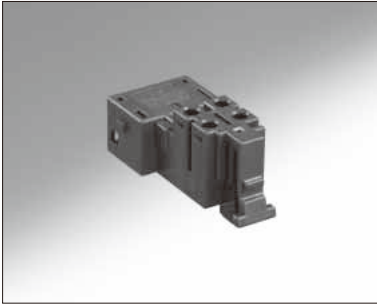
GT8E

GT9

GT15

For Antenna

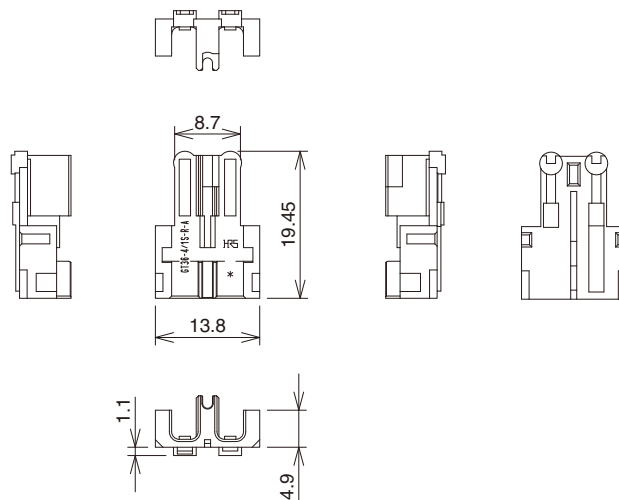
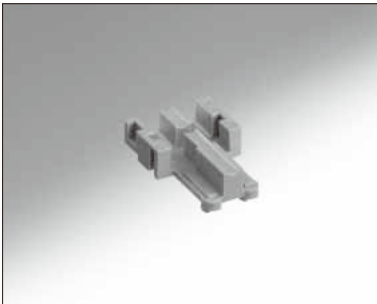
Housing for F connector (4 coaxials)



Retainer and cover assembled

Part No.	HRS No.	Material	Color	Key polarizing code	Packaging	RoHS
GT36-4/1S-HU(A)-A	786-0065-0	PBT	Brown	(A)	1	YES
GT36-4/1S-HU(B)-A	786-0066-2		Green	(B)		
GT36-4/1S-HU(C)-A	786-0067-5		Blue	(C)		
GT36-4/1S-HU(D)-A	786-0068-8		Black	(D)		

Retainer for F connector



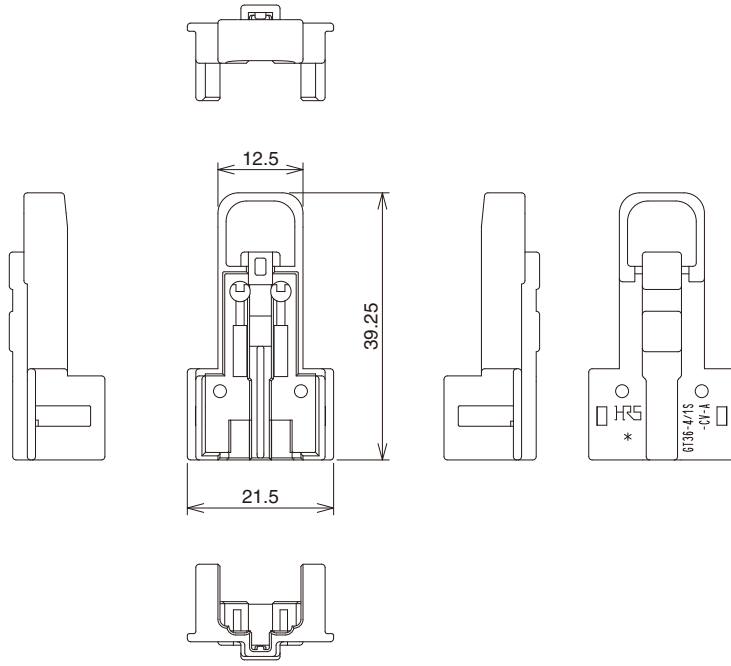
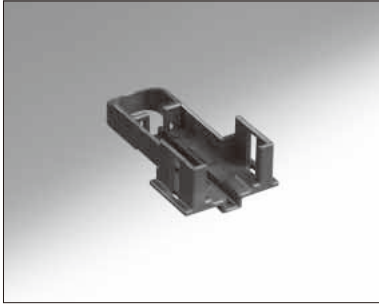
Part No.	HRS No.	Material	Color	Packaging	RoHS
GT36-4/1S-R-A	786-0069-0	PBT	Light Gray	1	YES

Jun. 1. 2020 Copyright 2020 HIROSE ELECTRIC CO., LTD. All Rights Reserved.

Jun. 1. 2020 Copyright 2020 HIROSE ELECTRIC CO., LTD. All Rights Reserved.

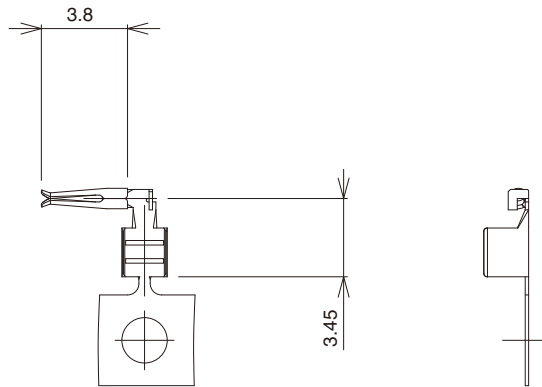
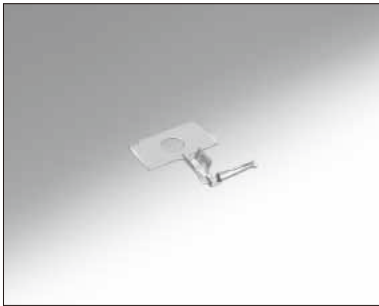
- GT5
- GT13
- GT16
- PO5G
- GT19
- GT21
- GT26
- GT36**
- GT11
- GT17
- GT32
- GT3
- GT7
- GT10
- GT18W
- GT25
- GT8E
- GT9
- GT15

■ Cover for F connector



Part No.	HRS No.	Material	Color	Packaging	RoHS
GT36-4/1S-CV-A	786-0070-0	PBT	Dark Gray	1	YES

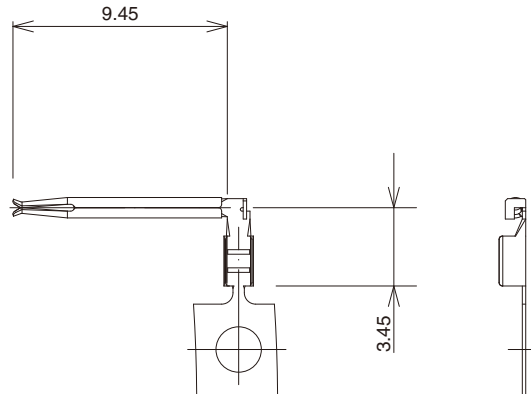
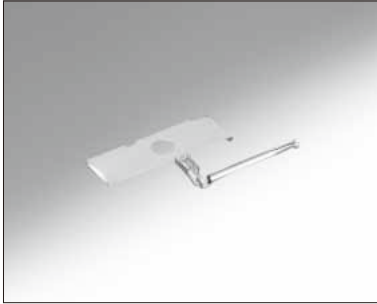
■ Center terminal for F connector (short)



Part No.	HRS No.	Material/Plating or Color	Applicable cable	Packaging	RoHS
GT36A-2022SCF	786-0028-3	Center terminal : Phosphor bronze/Tin plating	2.5D-2V	12,000 pcs/reel	YES
GT36-2428SCF	786-0001-7		1.5D-2V	13,000 pcs/reel	

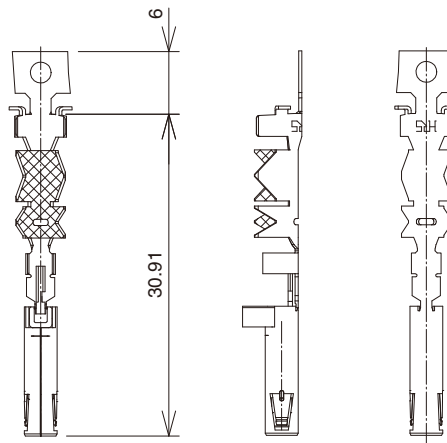
- GT5
- GT13
- GT16
- PO5G
- GT19
- GT21
- GT26
- GT36**
- GT11
- GT17
- GT32
- GT3
- GT7
- GT10
- GT18W
- GT25
- GT8E
- GT9
- GT15

Center terminal for F connector (long)



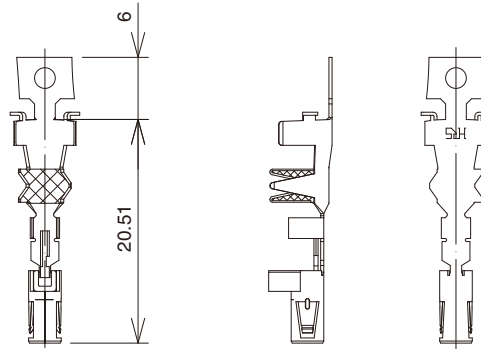
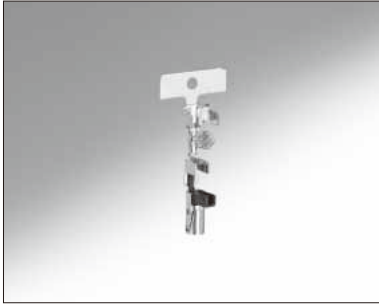
Part No.	HRS No.	Material/Plating or Color	Applicable cable	Packaging	RoHS
GT36-2428SCF(A)	786-0010-8	Center terminal : Phosphor bronze / Tin plating	1.5D-2V	9,000 pcs/reel	YES
GT36-30SCF(ID)(A)	786-0042-4		1.5C-2V(single wire)	12,000 pcs/reel	

Outer terminal for F connector (long)



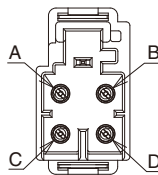
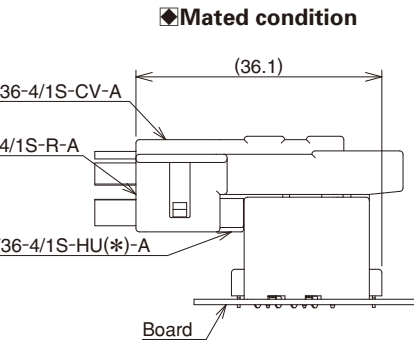
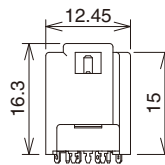
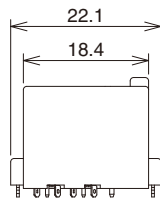
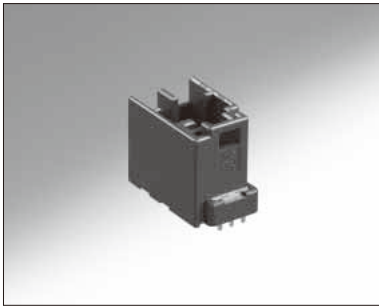
Part No.	HRS No.	Material/Plating or Color	Applicable cable	Packaging	RoHS
GT36-1.6-2.9SCF(A)	786-0004-5	Insulator : PBT / Dark Gray Outer terminal : Brass / Tin plating	1.5D-2V	6,500 pcs/reel	YES

Outer terminal for F connector (short)



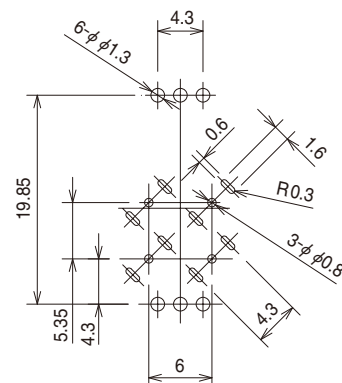
Part No.	HRS No.	Material/Plating or Color	Applicable cable	Packaging	RoHS
GT36-3.3-3.8SCF	786-0005-8	Insulator: PBT/Dark Gray	2.5D-2V	5,000 pcs/reel	YES
GT36-1.6-2.9SCF	786-0003-2	Outer terminal: Brass/Tin plating	1.5D-2V	3,000 pcs/reel	

Board type (4 coaxials)



ex. GT36-4ABD0P-DSAA
terminal position key

Recommended Board Mounting Pattern



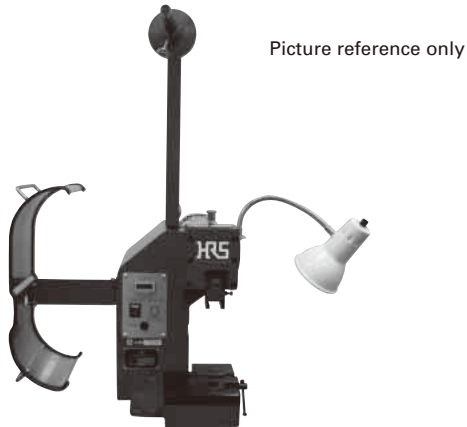
Part No.	HRS No.	Material	Color	Packaging	RoHS
GT36-4ABD0P-DSAA	786-0011-0	PA	Brown	200 pcs/reel	YES
GT36-4A0P-DSAC	786-0012-3		Blue		
GT36-4D0P-DSAC	786-0013-6		Green		
GT36-4BD0P-DSAB	786-0014-9				

* Applicable PCB thickness : 0.8mm

◆ Crimping tools

User manuals are available. Please ask your Hirose Electric account representative.

Automatic crimping machine



Picture reference only

Specifications

Item	Specification	Remarks
Press capacity	1.5tons	
Stroke length	30mm	
Number of strokes	200spm(50Hz)	200spm(60Hz)
Weight	75kg	
Motor	0.2kw	AC100V
Crimping speed	2000 to 4000 pcs/hour	

Part No. CM-105C

- * In terms of terminal's crimp height, a separate crimp height table is available for each cable type. Please contact sales personnel.
In the event of a new cable, the appropriate crimp height will need to be defined.
- * Separate reel stand required (CM105/RS-ED)
- * Separate applicator tooling required for each terminal.

Applicator (for use with the automatic crimping machine)

Terminal Product No.	Terminal HRS No.	Tool No.	Tool HRS No.
GT36A-2022SCF	786-0028-3	AP105-GT36A-2022S	901-5220-4
GT36-2428SCF	786-0001-7	AP105-GT36-2428S	901-5222-0
GT36-2428SCF(A)	786-0010-8	AP105-GT36-2428S(A)	901-5212-6
GT36-30SCF(ID)(A)	786-0042-4	AP105-GT36-30SI(A)	901-5225-8
GT36-3.3-3.8SCF	786-0005-8	GT36-3338S/CK-AD	902-5113-0
GT36-1.6-2.9SCF	786-0003-2	GT36-1629S/CK-AD	902-5116-9
GT36-1.6-2.9SCF(A)	786-0004-5	GT36-1629S(A)/CK-AD	902-5112-8